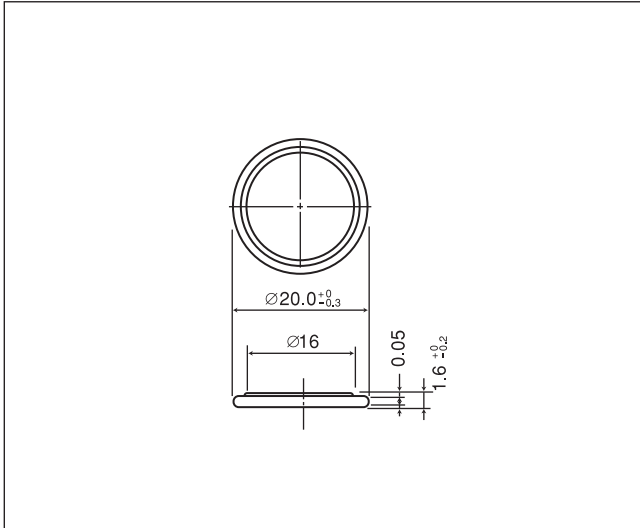


CR2016

■ Dimensions(mm)

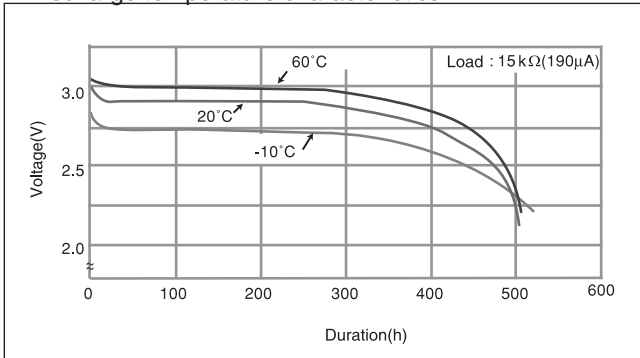


■ Specification

Nominal voltage(V)	3
Nominal capacity(mAh)	90
Continuous drain(mA)	0.1
Operating temperature(°C)	-30 to +85

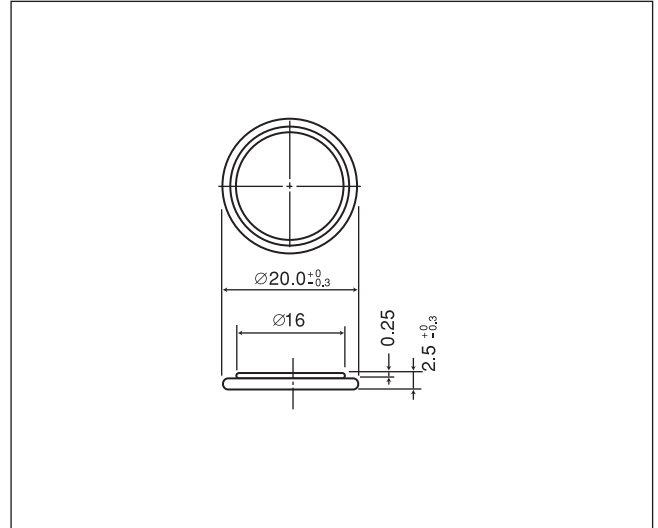
*Please consult Panasonic when anticipating usage in operating temperature of 70°C or above.

■ Discharge temperature characteristics



CR2025

■ Dimensions(mm)



■ Specification

Nominal voltage(V)	3
Nominal capacity(mAh)	165
Continuous drain(mA)	0.2
Operating temperature(°C)	-30 to +85

*Please consult Panasonic when anticipating usage in operating temperature of 70°C or above.

■ Discharge temperature characteristics

